



CONSTRUCTION RANGE **MT**
Fixed telehandlers



Handling your world

The Manitou group is a global market leader in rough-terrain material handling. It designs, manufactures, distributes and services equipment for the construction, agriculture and industry sectors.

The Group's product ranges include rough-terrain fixed, rotating and heavy-duty telehandlers, rough-terrain, semi-industrial and industrial forklift trucks, wheeled or tracked skid steers, articulated loaders, backhoe loaders, aerial work platforms, truck-mounted forklifts, warehousing equipment and attachments.

Through its iconic brands – Manitou, Gehl and Mustang by Manitou – and its worldwide network of 1,500 dealers, the Group offers the best solutions to create optimum value for its customers.

With its registered office in France, in 2018 the group recorded revenue of 1.9 billion euros in 140 countries, and employs 4,400 people, all committed to delivering customer satisfaction.



1958

Marcel Braud conceives the idea of the Manitou truck.

1972

The Group enters foreign markets.

Sales partnership agreement signed with Toyota for exclusive distribution of Toyota industrial forklift trucks in France.

1981

Launch of first Manitou telehandler.

1984

Manitou floated on stock exchange.

1993

First MRT rotating telehandlers are sold.

1995

Launch of first range of aerial work platforms.

1996

ISO 9001 certification obtained.

1998

Marcel Braud becomes Chairman of the Supervisory Board.

2007

Manitou opens an international logistics centre spanning 22,000 m².



3 brands
distributed by
1,500 dealers
in 140 countries



- 28 companies
- 11 production facilities
- 4,400 employees
- 80% of revenue comes from foreign markets
- Revenue of 1.9 billion euros in 2018

2008

Takeover of the American company Gehl.

2009

Change of management and a return to a Board of Directors.

2010

Launch of Gehl and Mustang articulated loaders.

2012

Crossover agreement signed with Yanmar for the manufacture and distribution of mini-excavators.

2013

Consolidation of Yanmar partnership as Yanmar becomes a Group shareholder, with 6.26% of the capital.

2014

January: Michel Denis appointed President and CEO. April: A new roadmap is drawn up focusing on the three divisions, including one for services.

2015

Manitou celebrates the sale of its 500,000th machine worldwide.



2016

Launch of the new MLT range, NewAg rotating telehandlers for agriculture.



2017

Inauguration of the new entity, Manitou Equipment India, specialising in compact loaders and backhoe loaders.

THE ESSENTIALS IN JUST ONE RANGE!

You have a range of forklifts from 4 to 18 m,
and 2 to 4 tonnes.



Ultra short
turning radius
from:
2.98 m

Working outreach
up to
13.5 m

4 to 18 m
lifting height

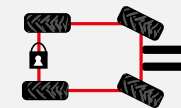
Lifting capacities of
2 to 4 t



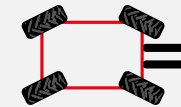
The **Manitou** telehandler

Manitou telehandlers are handling machines ideally suited for working in **rough-terrain** conditions. Equipped with four-wheel drive and steering, they have **high-performance load charts** to offer you a suitable work envelope for your sites.

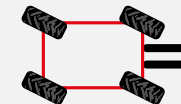
An ultra-manageable machine with **3 steering modes**



2 DIRECTIONAL WHEELS
to ensure greater safety on the road



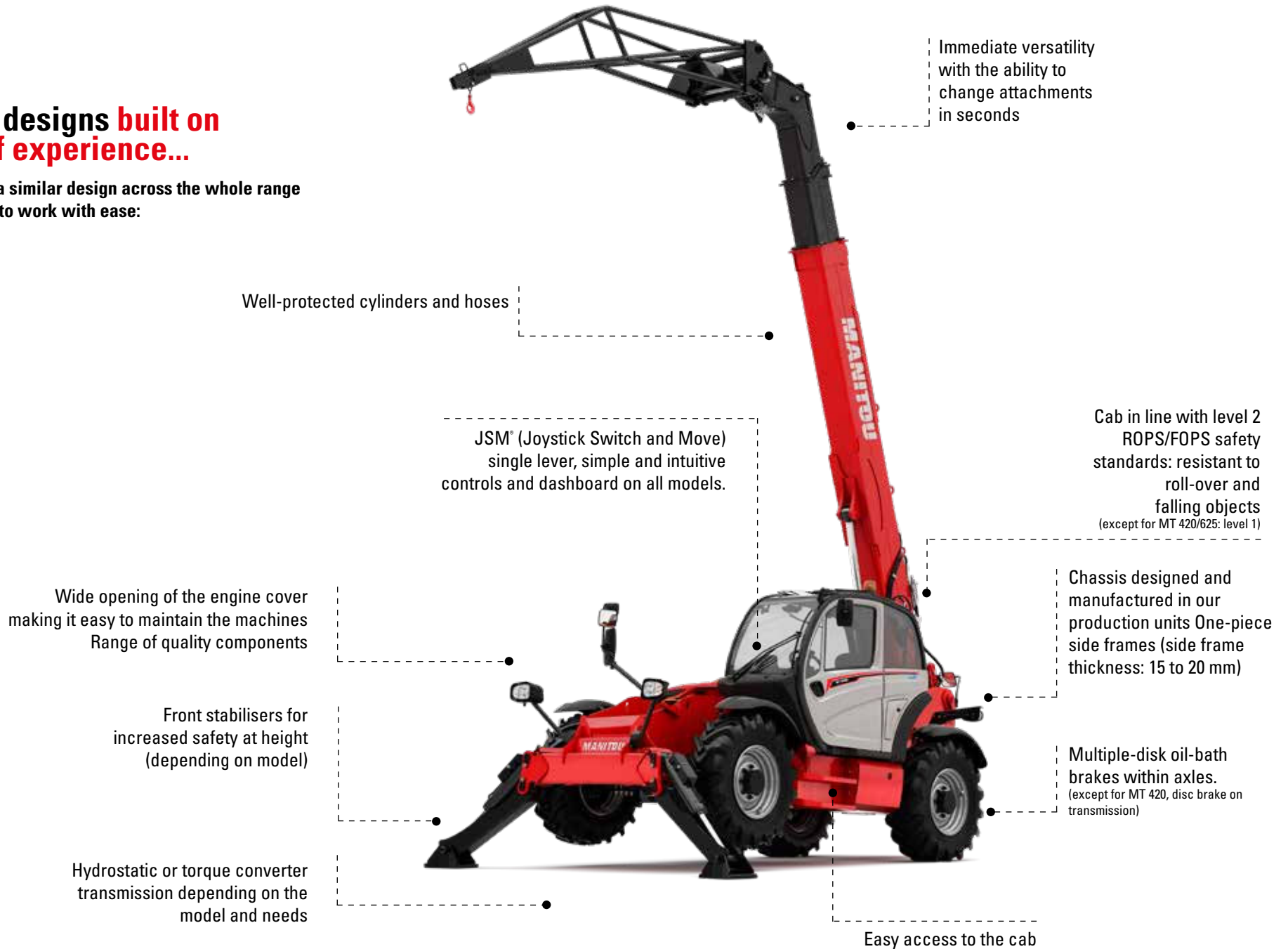
4 DIRECTIONAL WHEELS
for manoeuvring in space-restricted
work sites



CRAB MODE
for tricky sideways approaches

Similar designs built on years of experience...

You will find a similar design across the whole range allowing you to work with ease:



Clear, modular dashboard*

All the controls are within reach and are identified with symbols and colour codes. "DSB": an essential time-saver that enables you to concentrate on the work at hand!



Easy-access cab*

Access to the driver's cab has been entirely redesigned. It is now very easy to get into your cab. The non-skid step and large handles on the telehandler column make it even easier to climb up and down.



*Available on MT 11 to 18 m models



Manitou works hard to **make your workday easier!**

Exclusive to Manitou, le JSM® allows you to control all movements with one hand, safely and without strain: raise and lower the boom, extend and retract the boom, scoop and lift the bucket, hydraulically move the attachments, and also reverse the machine. One hand stays on the wheel so you keep total control over your machine.

- ❶ FNR (Front Neutral Reverse) button
- ❷ Telescoping: extend or retract
- ❸ Attachments hydraulic line



Forward: lower boom
 Backward: raise boom
 Left: crowd
 Right: dump



Find your **perfect "Harmony"!***

On the MT Easy 11 to 18m machines, the cab's "Harmony" screen indicates the maintenance frequency, moving speed, time, and other useful information. More than 80 pop-up notifications are available to assist you in your everyday work.



Economic innovation by Manitou!

The Eco Stop function automatically stops the engine and the associated hour counter when the driver is out of the cabin, depending on the setting desired (configurable from one to 30 minutes). This function was designed to meet the needs of construction applications, in which idling represents around 30% of use. Advantages: improved resale value and a reduction in fuel consumption.

CONNECTED MACHINES

Easy MANAGER: The perfect solution for optimising your TCO

Available on all of our machines, Easy MANAGER is dedicated to improving your productivity.



Manage maintenance costs and preserve the durability of your equipment

Maintenance is carried out at exactly the right time by continuously monitoring the hours operated.



Save time and fuel

With the localisation feature, Easy MANAGER gives you the best route (in time and distance) to access your equipment.



Optimise your equipment usage

You are informed in real time of the activity and availability of your equipment.



Anticipate and limit equipment downtime

By sharing data with your dealer and with your agreement, work is planned in advance and carried out at your convenience.



View the operating information

of the equipment including advanced data (tank level and fuel consumption) and remote diagnostics (subject to eligibility).



Secure your property

Easy MANAGER Mobile informs you instantly about any unplanned movement or activity.



**Intuitive
Ergonomic
Easy to use**

To facilitate access to key information about the machine, the Manitou group has launched the Easy MANAGER Mobile application, easily accessed directly from your smartphone.

Do you know the real cost of ownership of your equipment?

REDUCE TCO (Total Cost of Ownership) gives you detailed information about the breakdown of cost items for your machine and helps you to optimise the profitability of your production tool.

Calculate your TCO on tco.manitou.com

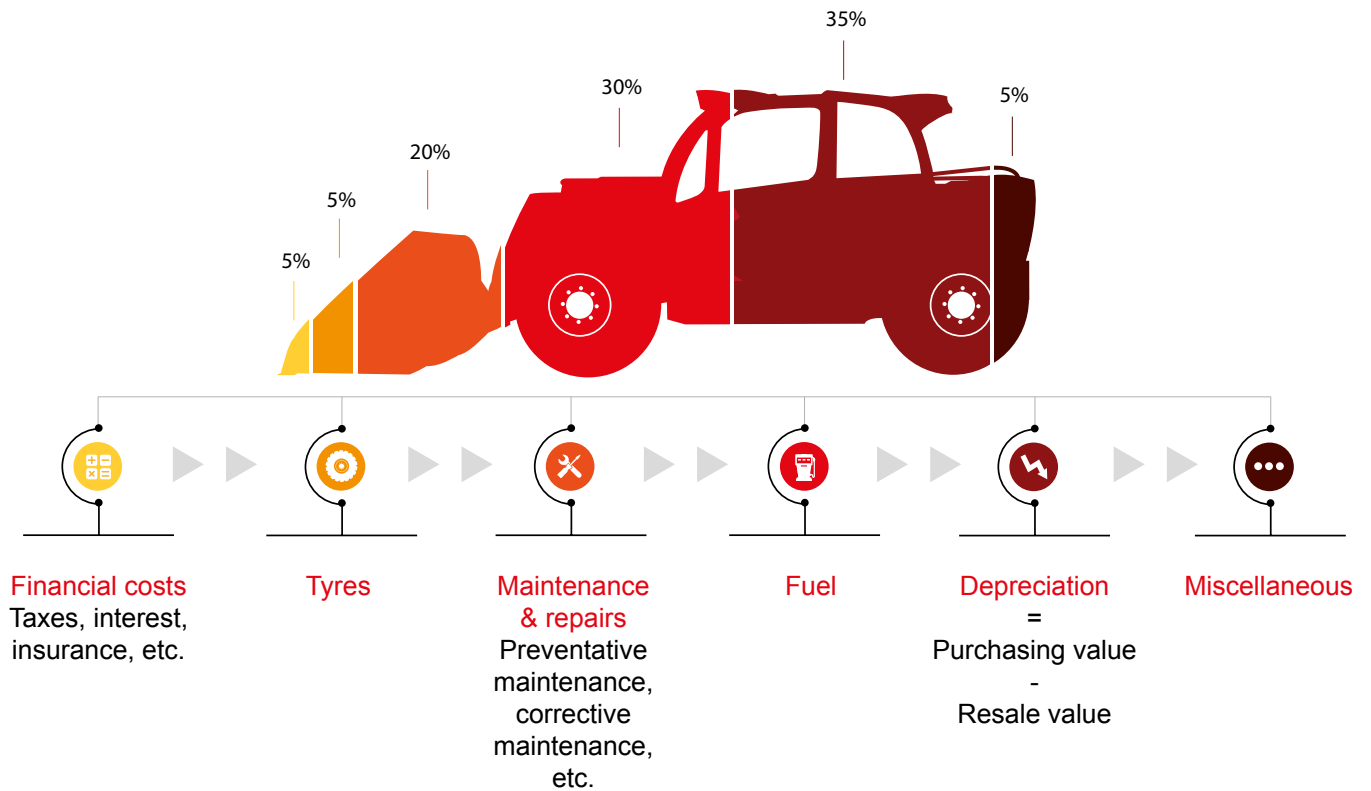


What is the TCO?

TCO is the total cost of ownership of an asset, more commonly known as the running cost.

This indicator considers both fixed costs, such as acquisition, interest, rent, and residual value, but also all variable costs linked to using your machine, such as maintenance, user training, etc.

Manitou takes reduction of TCO of its machines into account right from the design stage, to ensure that your running costs are optimised.





**4&6m
Compact
range**

MT420

An ultra-compact & manoeuvrable machine

The 420 H New Buggy is the most compact telehandler in the MT Manitou range.

With its exceptional dimensions, the MT 420 H New Buggy is the ideal partner on any worksite! Capable of negotiating the most confined, uneven and difficult-to-access spaces, the MT 420 H New Buggy boasts **four-wheel drive and steering** and a **turning radius of under three metres**.

Enjoy a compact, easily manoeuvrable machine which will help reduce your TCO!




< 2m with the compact rotating beacon light

1.90 m

0.24 m

3.63 m

1.49 m



Easy to use

The working environment is spacious and ergonomically designed. All controls are within easy reach.

The hydrostatic transmission, with gear change on the JSM®, provides flexibility and precision.



Optimise your sites, maximise your profits!

The MT 420 H New Buggy is equipped with a standard Manitou tool holder. Manitou approves the attachments, which meet all current standards.

Thanks to its 4.30 m / 2.0 tonne lifting capacity and its compactness, the MT 420 H New Buggy is **the only machine of its kind on the market**. Its versatility is a genuine asset, giving it an excellent **resale value**.



Easy to maintain and transport

- Highly compact **machine** with **easy access** to maintenance components. **Cost of preventative maintenance < £1/hour.**
- The engine cover opens in two parts, making it easy to perform maintenance. The strengthened and removable cover is made of Telene, an ultra-resistant and easy-to-maintain material.
- Hydraulic oil change every 2,000 hours.
- **Corrective maintenance:** Reduction of exposed parts, rear stop lights integrated into the counterweight, low frame steel door, protection of cylinders and hoses.
- Identified and accessible tie-down and slinging points.

Guaranteed safety

- Thanks to the different positions of the components, you benefit from **360° visibility** inside the cab and **perfect stability** of the machine on all types of sites.
- Powerful disc brake on the universal joint which operates on both axles.
- Automatic parking brake to avoid any risk of accident.
- Front and rear cameras available (optional).
- Machine complies with ROPS/FOPS level I regulations.

Proven performances & efficiency

- Very good load chart capable of supporting up to **2 tonnes at 4.30 m.**
- Rough-terrain machine that can adapt to the constraints of your worksite.
- Proven reliability of the main structural components shared with the MT 625 (cab, tyres, hydrostatic transmission, Kubota engine, axles.).
- Maximum speed: 25 kph.
- Reinforced boom head with **better visibility**
- "Fan Drive", hydraulic regulation of ventilation as standard for optimum engine cooling.



MT625

A versatile and compact machine

Ideally designed for **construction and urban renewal**, the MT 625 has outstanding characteristics in terms of compactness.

With a width and height of under 2 m, the MT 625 can be used with ease in cramped spaces (material depots, urban or congested construction sites, garage doors or underground car parks).



Ease of use and maintenance

The MT 625, just like the 420 MT, offers you all the advantages of a loader, telehandler and the industrial forklift combined.

- Easy to use, maintain and transport.
- Quick start: start in under 30 seconds.
- Maintenance information on the dashboard (error codes).
- The wide opening of the engine cover, on the side of the machine, enables components to be accessed easily.

Efficiency & performance

- For rough-terrain applications, the MT 625 has a ground clearance of 33 cm.
- 2-speed hydrostatic transmission (flexibility and driving comfort).
- Reinforced boom suitable for bucket operations.
- Option of equipping the MT 625 HA with two types of platforms (200 kg compact or 365 kg wide).



7,9,10_m
**Medium
height**

Compactness, simplicity and performance for sites up to 10 m high

Available in the Easy (75 hp) version, the medium height telehandlers offer a good compromise between compactness and performance thanks to lifting heights ranging from 7 to 10 meters, a nominal capacity of 3.3 tonnes and optimised dimensions. The medium height machines are ideal for masonry work, roofing or for any site requiring compact machines while maintaining powerful load charges.

The MT 1033 Easy is the only model in this range that is fitted with stabilisers, which make it particularly effective for these lifting capacities.

When folded, the stabilisers stay in the machine's frame to maintain its compactness.





Effective and robust machines

The MT range of 7 to 10 meters is very easy to use whether you're driving, changing attachments or performing maintenance. All models in the medium-height range offer:

- Quality components
- An excellent standard of machine workmanship
- Robust and reliable chassis and boom design (high-quality steel for the boom and a one-piece welded frame).
- Rough-terrain capability (ground clearance, tyre size, protection under the machine).
- Effective braking integrated into the front and rear axles.
- Handling (short turning radius: 3.80 m).



Simplicity of use

The entire 7 to 10 meter MT Easy range is available with torque converter transmission, a Deutz engine – 75 hp with a 4 speed gearbox.

The choice of torque converter allows you to increase productivity and performance throughout your working day, in all-terrain conditions.



11&13^m
**Medium
Height**

Compact machines

Just like the MT 1033, the 11 to 13 meter **machines maintain compactness and performance.**

The stabilisers stay in the machine's frame when folded.

The 11 to 13 meter range offers an **ultra-short turning radius (3.65 m).**



Comfort and ergonomics

The medium-height MT range is equipped with a modern cab, offering 360° visibility and comfort at work. Simple and intuitive dashboard with JSM °.





11 to 13 meter t elehandlers combining **compactness, comfort and performance**

With their 3.5 tonne nominal capacity and two lifting heights, this range offers effective and productive models in 75 hp or 100 hp.

You can take advantage of a range offering many benefits:

- Easy to maintain
- Frame levelling option
- Hydrostatic or torque converter transmission to meet your work requirements
- You can have the option of being platform-ready with the Easy 75 hp range





14.18_m
High
range

The magic of great heights Safety, performance and versatility

The MT 1440 and 1840 telehandlers are very powerful. They have an excellent work envelope and a lifting capacity of up to 4 tonnes.

These machines offer you versatility not seen elsewhere on the market:

- Simple and easy to transport machine.
- Similar design between the different machines in the range.
 - Wide stabilisers for frontal and lateral stability.
- Multitude of applications on site thanks to numerous attachments.
 - 75 hp or 100 hp engine.



Work simply and safely

- The ECS enables the hydraulic line to be depressurised without turning off the engine.
- Adjustment of the hydraulic flow of the attachment line.
- Automatic parking brake with hill-start assist.
- Locking of the fork carriage tilt to secure your handling.
- Digicode to start the machine.
- Optional radio control.
- Optional remote button for ECS.
- Optional Eco-stop



A compact ultra-resistant engine cover

The 14-18 m MT are now equipped with a heavy-duty engine cover made of Telene, thermo hardened resin which absorbs shocks without deformation. Therefore, they have increased resistance to impacts on site as well as to heat and vibrations. Easily repairable in case of cracks or paint touch-ups, they are also easy to transport and replace thanks to their optimised weight. The compactness of the engine cover provides optimum visibility for greater safety



Increase productivity with a powerful machine

The performance and handling of the MT 1440 / 1840 telehandlers enable you to carry out all your construction work in order to increase productivity. Just like the medium-height machines, you maintain outstanding load charts and performance.

+/-9% tilt correction system available on both versions. Use of the platform up to 1,000 kg with automatic locking of the rear axle.

COMPACT

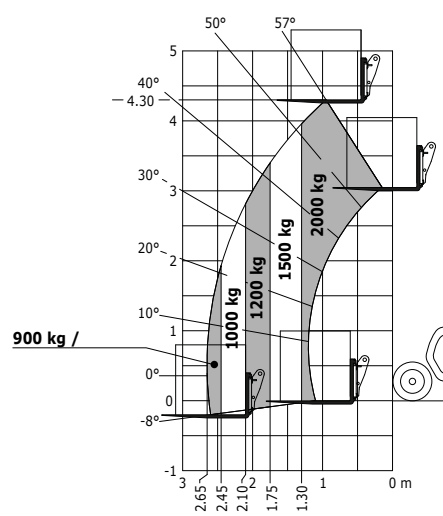


MT 420 H MT 625 H / HA

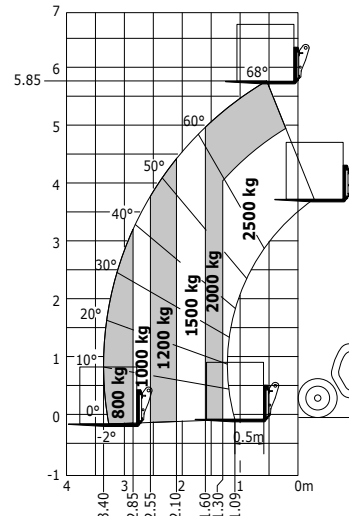
		MT 420 H	MT 625 H	MT 625 HA**
Transmission	H/C*	Hydrostatic	Hydrostatic	Hydrostatic
Engine power	hp (kW)	57 (42)	75 (55.4)	75 (55.4)
Engine brand	-	Kubota	Kubota	Kubota
Max. capacity	kg	2 000	2 500	2 500
Max. lifting height	m	4.30	5.85	5.85
Max. outreach	m	2.65	3.40	3.40
Stabilisers		No	No	No
Dimensions with the fork carriage (LxWxH)	m	3.63 x 1.49 x 1.90	3.90 x 1.81 x 1.92	3.90 x 1.81 x 1.92
Turning radius (outer wheels)	m	2.98	3.31	3.31
Ground clearance	m	0.24	0.33	0.33
Unladen weight (with forks)	kg	4190	4 800	4 800
Max speed (may vary according to the regulations in force)	km/h	25	25	25

* H: Hydrostatic

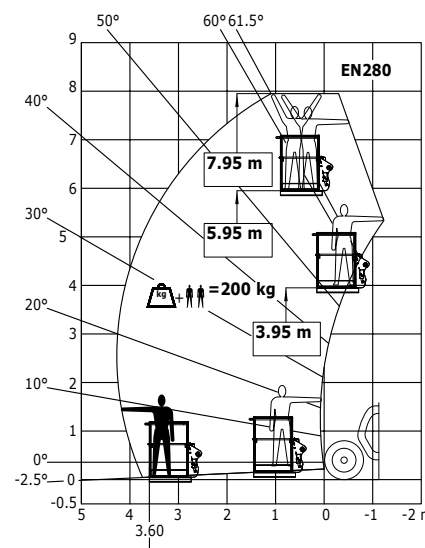
** HA: Hydrostatic / Access (platform ready)



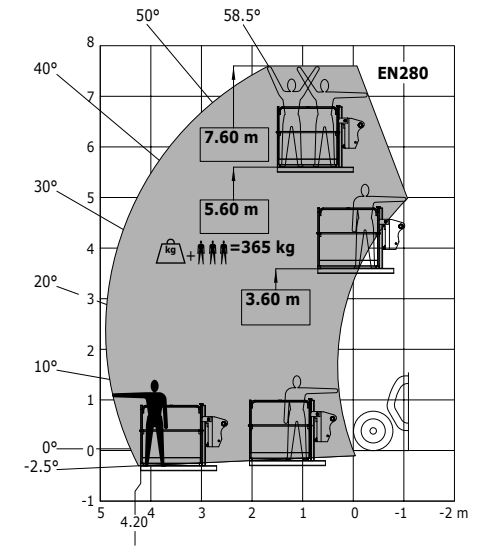
MT 420 H



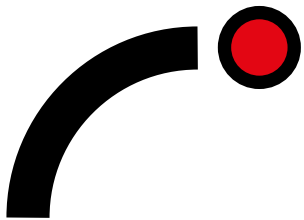
MT 625 H
MT 625 HA



MT 625 HA
200 kg platform



MT 625 HA
365 kg platform

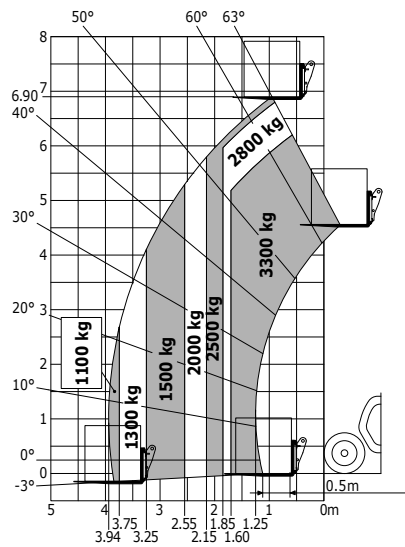


MEDIUM HEIGHT

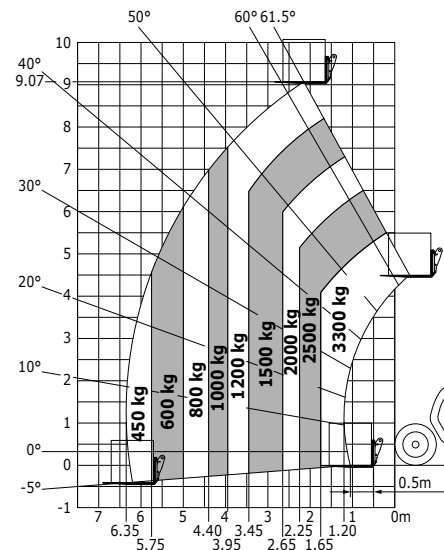


MT 733 EASY MT 933 EASY MT 1033 EASY

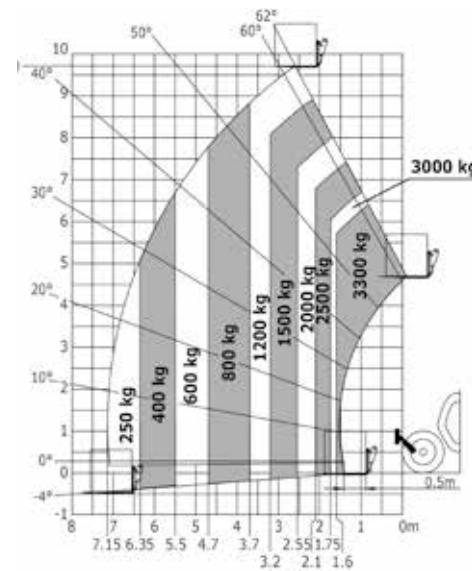
		MT 733 Easy	MT 933 Easy	MT 1033 Easy
Transmission	H/C	Torque converter	Torque converter	Torque converter
Engine power	hp (kW)	75 (55.4)	75 (55.4)	75 (55.4)
Engine brand	-	Deutz	Deutz	Deutz
Max. capacity	kg	3 300	3 300	3 300
Max. lifting height	m	6.90	9.07	9.98
Max. outreach	m	3.90	6.35	7.15
Stabilisers		No	No	Yes
Dimensions with the fork carriage (LxWxH)	m	4.74 x 2.33 x 2.30	4.68 x 2.33 x 2.30	4.93 x 2.33 x 2.30
Turning radius (outer wheels)	m	3.80	3.80	3.80
Ground clearance	m	0.45	0.45	0.45
Unladen weight (with forks)	kg	6 700	7145	7790
Max speed (may vary according to the regulations in force)	km/h	25	25	25



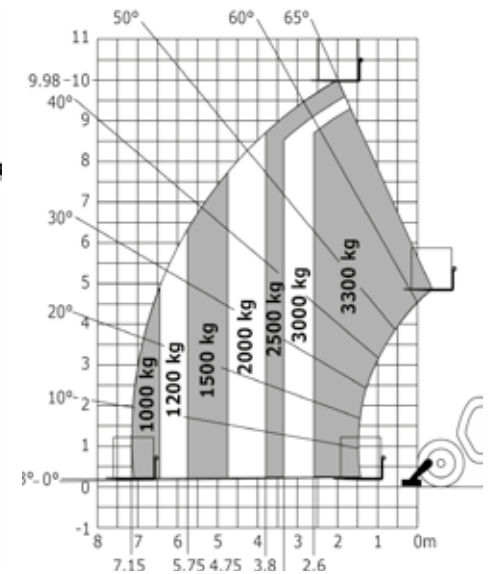
MT 733 EASY



MT 933 EASY



MT 1033 EASY
on tyres



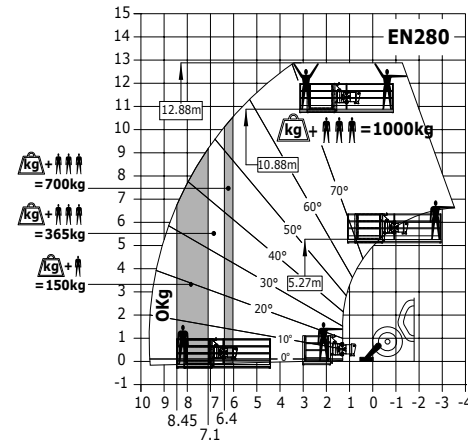
MT 1033 EASY
on stabilisers



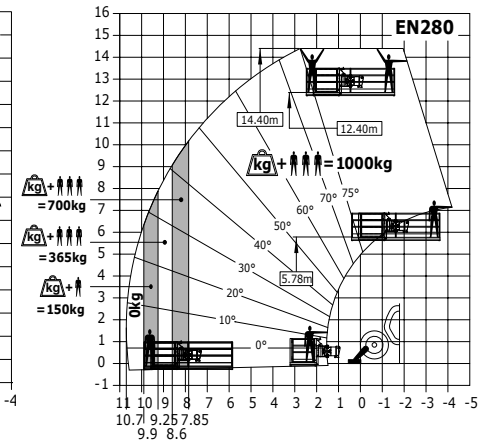
MT 1135 / 1135 EASY

MT 1335 / 1335 EASY

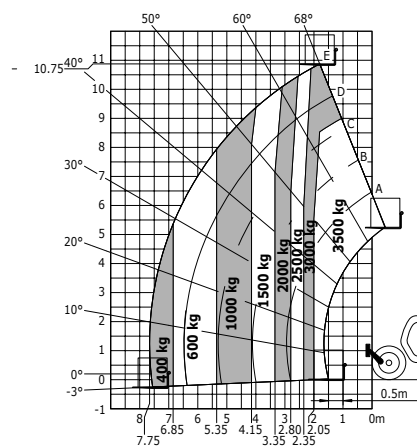
		MT 1135 / 1135 Easy	MT 1335 / 1335 Easy
Transmission	H/C	Torque converter Hydrostatic (H - HA)	Torque converter Hydrostatic (H - HA)
Engine power	hp (kW)	75 (55.4) Easy 100 (75)	75 (55.4) Easy 100 (75)
Engine brand	-	Deutz 75 (55.4) Perkins 100 (75)	Deutz 75 (55.4) Perkins 100 (75)
Max. capacity	kg	3 500	3 500
Max. lifting height	m	11.05	12.55
Max. outreach	m	7.75	8.75
Stabilisers		Yes	Yes
Dimensions with the fork carriage (LxWxH)	m	5.37 x 2.28 x 2.42	5.86 x 2.28 x 2.42
Turning radius (outer wheels)	m	3.65	3.65
Ground clearance	m	0.42	0.42
Unladen weight (with forks)	kg	8 900	9 200
Max speed (may vary according to the regulations in force)	km/h	25 (Easy) 25 or 35	25 (Easy) 25 or 35



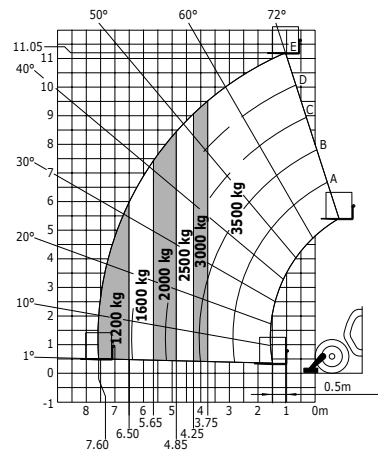
MT 1135 HA EASY
platform



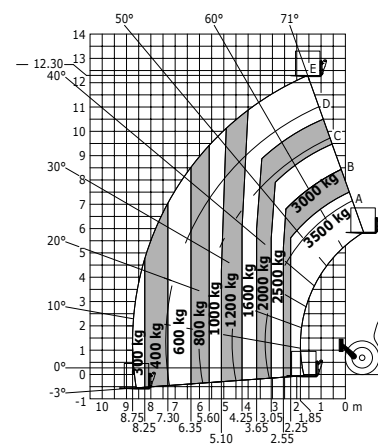
MT 1335 HA EASY
platform



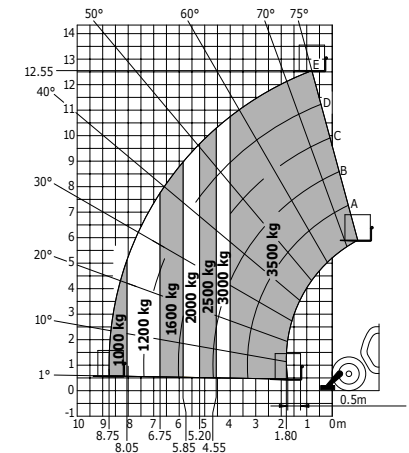
MT 1135/1135 Easy
on tyres with tilt correction system



MT 1135/1135 EASY
on stabilisers



MT 1335/1335 Easy
on tyres with tilt correction system



MT 1335/1335 Easy
on stabilisers

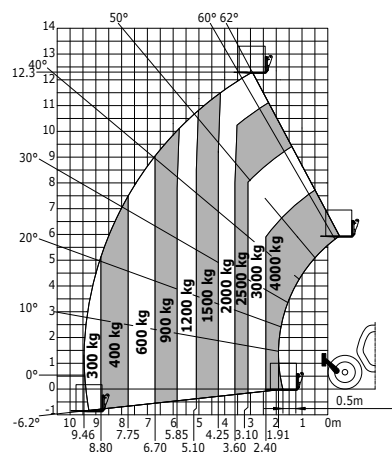
HIGH



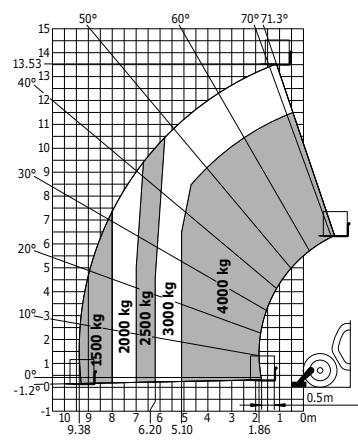
		MT 1440 Easy	MT 1440	MT 1440 A* / HA
Transmission	H/C	Torque converter	Torque converter	A: Torque converter / HA: Hydrostatic
Engine power	hp (kW)	75 (55.4)	100 (75)	100 (75)
Engine brand	-	Deutz	Perkins	Perkins
Max. capacity	kg	4000	4000	4000
Max. lifting height	m	13.53	13.53	13.53
Max. outreach	m	9.46	9.46	9.46
Stabilisers		Yes	Yes	Yes
Dimensions with the fork carriage (LxWxH)	m	6.13 x 2.37 x 2.45	6.13 x 2.37 x 2.45	6.13 x 2.37 x 2.45
Turning radius (outer wheels)	m	3.97	3.97	3.97
Ground clearance	m	0.37	0.37	0.37
Unladen weight (with forks)	kg	10 900	11 000	11 200
Max speed (may vary according to the regulations in force)	km/h	25	25 or 35	25 or 35

* A: Access (platform ready)

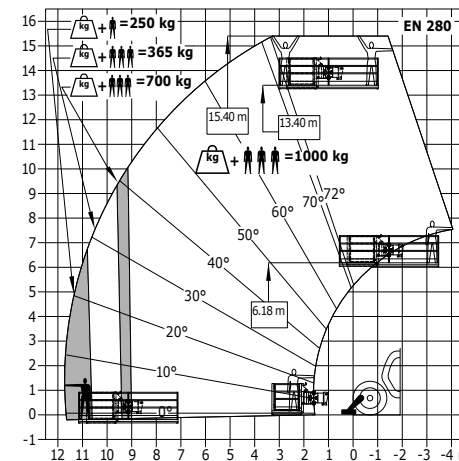
MT 1440 / EASY / A / HA



MT 1440/1440 Easy
on tyres with tilt correction system



MT 1440/1440 Easy
on stabilisers

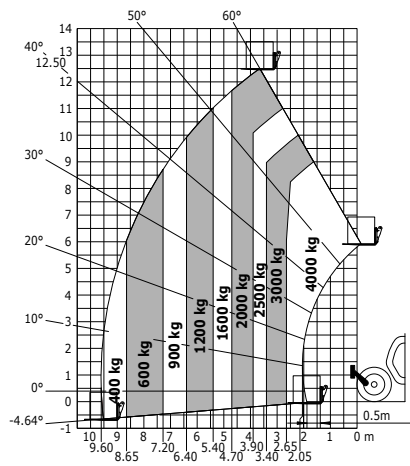


MT 1440 A/HA
platform

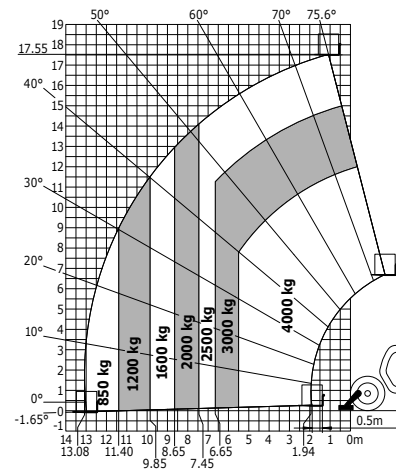


		MT 1840 Easy	MT 1840	MT 1840 A / HA
Transmission	H/C	Torque converter	Torque converter	A: Torque converter / HA: Hydrostatic
Engine power	hp (kW)	75 (55.4)	100 (75)	100 (75)
Engine brand	-	Deutz	Perkins	Perkins
Max. capacity	kg	4 000	4 000	4 000
Max. lifting height	m	17.55	17.55	17.55
Max. outreach	m	13.08	13.08	13.08
Stabilisers		Yes	Yes	Yes
Dimensions with the fork carriage (LxWxH)	m	6.27 x 2.42 x 2.50	6.27 x 2.42 x 2.50	6.27 x 2.42 x 2.50
Turning radius (outer wheels)	m	4.01	4.01	4.01
Ground clearance	m	0.42	0.42	0.42
Unladen weight (with forks)	kg	11 700	11 800	12 000
Max speed (may vary according to the regulations in force)	km/h	25	25 or 35	25 or 35

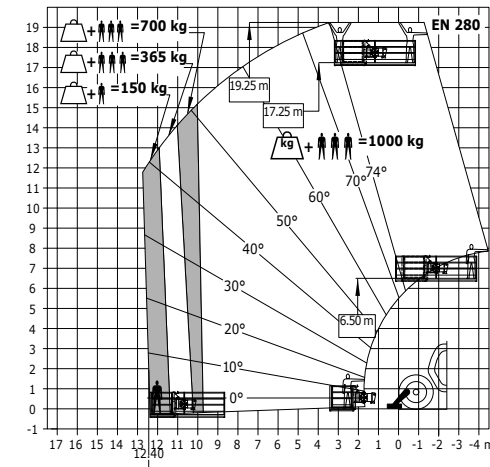
MT 1840 / 1840 EASY



MT 1840 / MT 1840 EASY
on tyres with tilt correction system



MT 1840 / MT 1840 EASY
on stabilisers



MT 1840 A/HA
platform



**A
selection
of Manitou
attachments**

100 references

In addition to standard equipment with forks, Manitou also offers you a choice of attachments from among more than 100 references, a range that we are constantly developing.

Simple and rapid coupling

In order to save you time, the coupling system for Manitou attachments (TS: simple fork carriage with manual or hydraulic locking) is reliable, quick and easy to use. Attach and detach your attachments with ease.



CBR - Rehandling Bucket

Bucket suitable for handling heavy materials (max. 2100 kg/m³). Reinforced structure for greater durability. Available as an option with a 500 HB reversible bolted wear blade (LDR).



TFF - Floating fork carriage

This floating fork carriage makes it possible to pick up and handle palletised loads on uneven terrain. Available in different widths and capacities, this carriage is suitable for all applications.



CAF - Floating fork carriage spreader bar

This positioner is used to vary the distance between the forks and the cab, enabling quick and easy adaptation to pallet dimensions. For increased efficiency, lateral movement is available as an option.



P - Jib

Tubular extension jib, offering the perfect compromise between front outreach and lightness. This is the essential tool for placing suspended loads. 600 to 2,000 kg capacities available in the offer.



JE - extendable jib

Simple and safe solution for handling and placing roof trusses (alone or in batches).



PC - jib hook

A simple and effective tool for handling suspended loads, it maintains the nominal capacity of the MTs.



HBB - Big Bag Handler

Handles up to four big bags safely for increased efficiency in loading and unloading operations.



SCC - 2-in-1 Sweeper

Sweep, collect or make swathes: you no longer need to choose! The SCC Sweeper Cleaner offers you a competitive solution and optimal results. Attachments designed for tasks of light or medium intensive work.

**MORE ATTACHMENTS AT:
WWW.MANITOU.COM**



Everyday expertise and service

Your Manitou dealer can guarantee a complete range of services at all stages of your machine's life and is there to provide support and meet your needs, always looking to provide you with the best solution.

1,400 dealers at your service

The Manitou network is present in more than 120 countries. In total, there are more than 2,000 expert technicians who are specially trained in Manitou technology and who are at your service to assist with purchasing or after-sales.



- Dealership network**
A network of experts at your service, whatever your field (agriculture, construction, industry).
- Maintenance contracts**
Three levels of contracts are available (Initial, Advanced and Excellence), which are tailored to your specific needs, so you can rest easy and leave maintenance to your official Manitou dealer.
- Financing**
Hire or purchase? Whatever your business, simplify your investment with Manitou Finance financing or leasing solutions.
- Warranty extension**
With Maniplus, you can extend the cover of your Manitou warranty for up to five years. Use your equipment with peace of mind.
- The connected solution**
Easy Manager is a simple and flexible tool for managing, optimising and securing the operational monitoring of your machines.
- Second-hand products**
In the market for second-hand equipment? The Manitou network is here to help. Just visit your dealer or used.manitou.com, our reference site for second-hand Manitou machines.
- Original spare parts**
With more than 70,000 products available, your Manitou dealer offers expertise and service on a daily basis!

Your dealer:



Head office

B.P. 249 - 430 rue de l'Aubinière - 44158 Ancenis Cedex - France

Tel.: 00 33 (0)2 40 09 10 11 - Fax: 00 33 (0)2 40 09 10 97